



## JandJ MacGyver

**Price:** £1,750.00 (excl VAT)

**Sire:** Inca Greshingham

**Dam:** JandJ Wren

**Type:** Stud Male (Proven Stud)

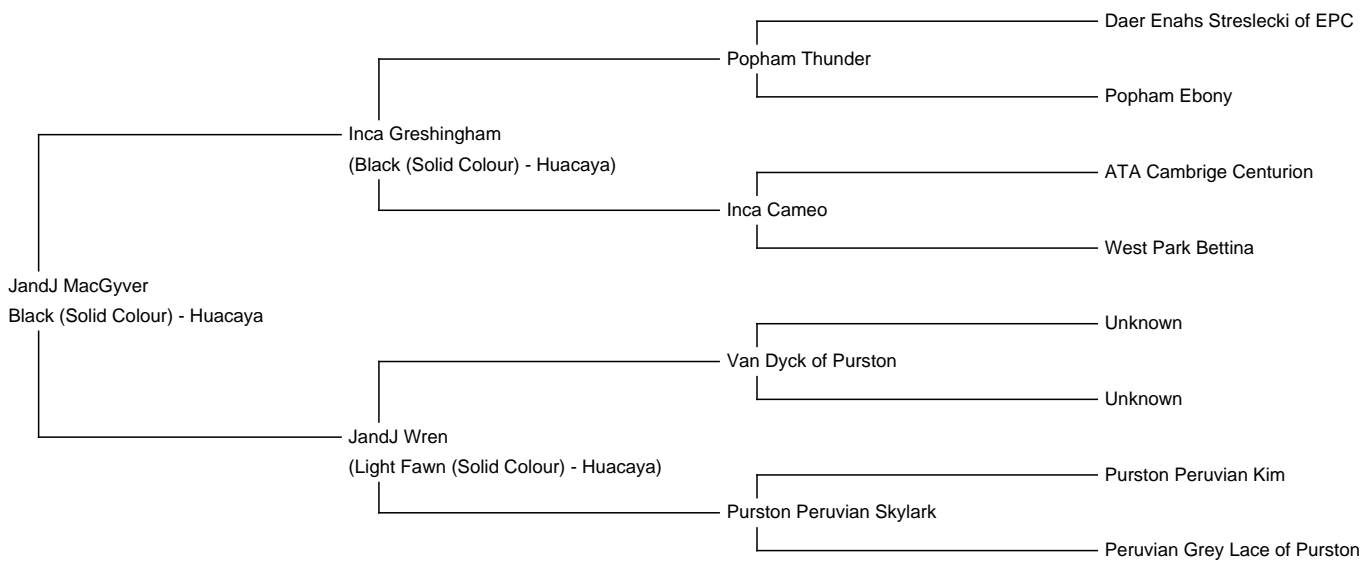
**Breed Type:** Huacaya

**Colour:** Black (Solid Colour)

**Registered With:** British Alpaca Society

**Blood Lineage:** UK, Australian and Peruvian

**Date of Birth:** 12th June 2016



### Fleece: (1st)

25.90µ SD 5.50µ CV 23.00% Curvature 33.90 deg/mm

*(taken on 16th June 2018 at 2 Years of age)*

### Description:

JandJ MacGyver is a very true to type black male presenting a fine, dense, soft, uniform fleece on a solid frame with great substance of bone. This male has great confirmation with a very stylish head type, which commands your eye and makes him stand out in the field.

He has a good record in the ring coming 4th Junior Black Male at the National Show 2017, 3rd Junior Black Male at Northumberland Show 2017, 2nd Intermediate at Yorkshire 2017, 2nd Intermediate at Northumberland 2018, 1st Adult Black and Reserve Champion at Yorkshire 2018, 1st Adult Black and Reserve Champion at Yorkshire for the second year in 2019.

MacGyver comes from some of our best breeding stock. His sire Inca Greshingham oozes elite black genetics, Greshingham's sire Popham Thunder and Dam Inca Cameo one of Inca's most decorated females. His dam side has the late Van Dyck of Purston an elite black male of his time and a big part of JandJ's herd. MacGyver is too related to our herd, which is the reason for the opportunity.

### Prizes Won:

2017/03 National Halter Show

Huacaya Junior Male - Black 4th

2017/05 Northumberland

Huacaya Junior Male - Black 3rd

2017/10 Yorkshire Alpaca Halter Show

Huacaya Intermediate Male - Black 2nd

2018/05 Northumberland

Huacaya Intermediate Male - Black 2nd

2018/10 Yorkshire Alpaca Halter Show

Huacaya Adult Male - Black 1st

2018/10 Yorkshire Alpaca Halter Show

Huacaya Champion Black Male Res

2019/10 Yorkshire Alpaca Halter Show

Huacaya Adult Male - Black 1st

2019/10 Yorkshire Alpaca Halter Show

Huacaya Champion Black Male Res

JandJ MacGyver





